

SAILOR® 6249 VHF SURVIVAL CRAFT

COBHAM

Designed and Approved for Survival Crafts

2014 Product Sheet

The most important thing we build is trust

SAILOR 6249 VHF Survival Craft continues the SAILOR tradition of setting new standards for VHF design. It is a vital and reliable communication tool that has been developed to comply with the strict regulations of VHF installed in survival craft and is based on the same foundation of high reliability, ease-of-use and leading-edge functionality that has positioned SAILOR as the top name in maritime VHF.

- High performance Rx/Tx
- Powerful 6W loudspeaker
- Professional, high-quality SAILOR Handsets
- Intuitive and easy operation
- High quality display – perfect night and day vision
- Unique SAILOR Replay function – play back the last 240 sec.
- Large tactile buttons and dials for easy operation
- ThraneLINK for easy integration and maintenance

More than a VHF

The SAILOR 6249 VHF Survival Craft is designed for extreme maritime situations. It includes the standard international maritime VHF channels as required in a Survival Craft VHF and as standard up to 100 private channels (P/F/L). The combination of world-renowned SAILOR design and build quality, the special approvals and extensive testing, make the SAILOR 6249 VHF Survival Craft one of the most advanced, high quality and powerful professional VHF radios available today.

Survival Craft Regulations

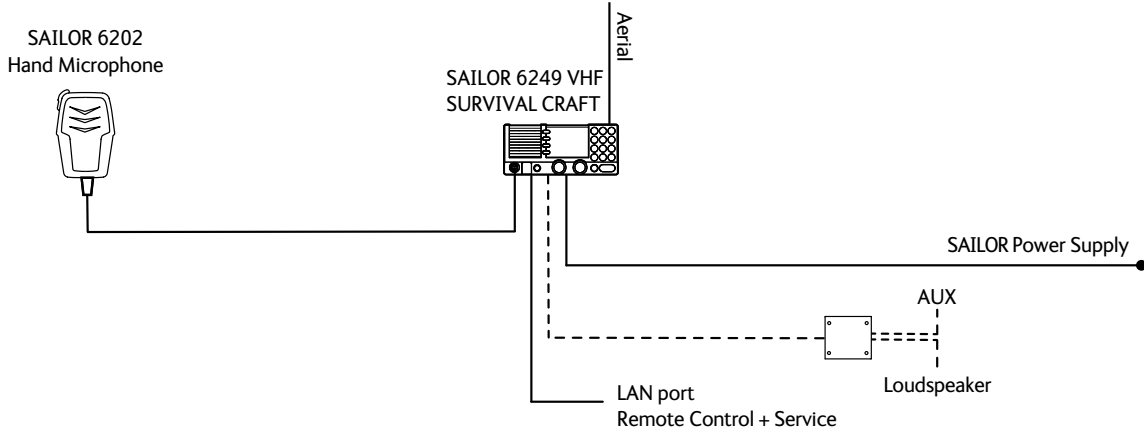
The SAILOR 6249 VHF Survival Craft is Wheelmark (MED-B) approved and complies with the ETSI EN 301 466 standard. This allows it to be installed as a fixed mounted VHF in a Survival Craft. It is rated waterproof to both IPx6 and IPx8 and in order to achieve this rating the SAILOR 6249 VHF Survival Craft has been subjected to an extreme series of testing, proving its resistance to fluctuating temperature, shock, water and oil among other environmental challenges.

You can trust the SAILOR 6249 VHF Survival Craft in a distress situation because it has been designed for just that. It features the same virtues and functionality that has positioned other SAILOR VHF models as clear leaders in the sectors they are designed for:



SAILOR® 6249 VHF SURVIVAL CRAFT

Designed and Approved for Survival Crafts



TECHNICAL SPECIFICATIONS

Power supply	12VDC Nominal (10.8– 15.6VDC). Reverse polarity protected
	SAILOR 6090 Power Converter (24-12V) incl.
Operational temperature range	-25 C to +55 C
Storage temperature range	-30 C to +80 C
Stand-by current consumption	< 500mA
Frequency range	TX 156,000-157,425 RX 156,000-163,425 MHz
Channel spacing	12.5kHz and 25kHz incl. all international maritime channels
Receiver sensitivity	< -119dBm Typically @ 20dB SINAD CCITT Weighted

INSTALLATION

Bracket and flush mounting installation	X (included)
Water ingress	IPx8 and IPx6 all over
Weight SAILOR 6249 transceiver	< 1.50 kg (3.3 lbs) approx.

APPROVALS

Wheelmark (MED-B)	
ETSI EN 301 466	

FEATURES

SAILOR Replay	X
Display dimming	X
Red backlight	X
Large tactile buttons and wheelknobs	X
Powerful loudspeaker	6W
Dual- / Tri-watch and scanning	X
Transmit power	Hi / Lo: 25W and <1W

CHANNELS

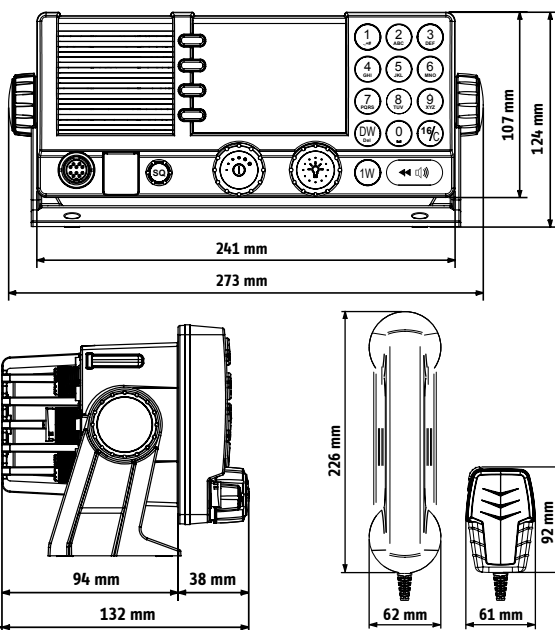
International channels	X
------------------------	---

INTERFACES

SAILOR 6202 Hand Microphones	3
External loudspeaker	6W/8 Ohm

ThraneLINK

ThraneLINK is a sophisticated communication protocol that connects the SAILOR products in a network, offering important new opportunities to vessels. It provides facility for remote diagnostics and enables access to all the SAILOR products from a single point for service. This results in optimized maintenance and lower cost of ownership because less time is needed for troubleshooting and service. Installation is made easier as ThraneLINK automatically identifies new products in the system. The uniform protocol is an open standard which provides a future proof solution for all vessels.



For further information please contact:

www.satcom.ohc@cobham.com